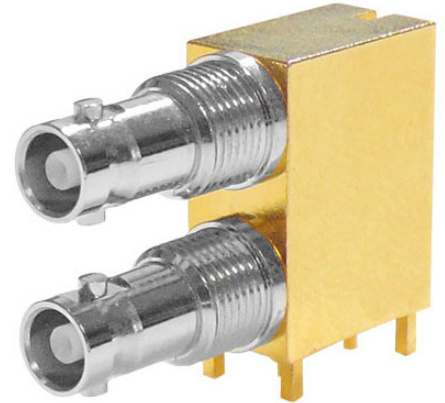


General Description

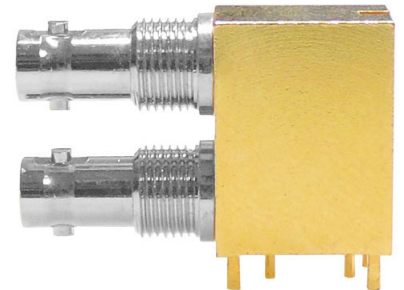
Our range of 12GHz Precision Micro BNC coaxial connectors are optimised for 4K/Quad HD and Ultra HD Broadcast applications whilst meeting the J11A CXP-12 CoaXPress specification. These high performance connectors allow you to achieve a 12GHz channel in one single connection. The Micro BNC connectors are mateable with any standard Micro BNC connector. The XPS-12-RB24-GND is a dual port Micro BNC connector, removing the need for PCB mezzanine configurations in high density applications.

This connector was formerly sold as:
 C-SX-183 when supplied with ANP-C2-DBN-1.50
 C-SX-213 as a connector only product



Electrical

Impedance	75Ω	
Frequency Range	0-12GHz	
Working Voltage	250Vrms	
Reflection Factor (VSWR)	1.52 (max) 0-12GHz	
Dielectric Withstanding Voltage	750Vrms	
Insulation Resistance	≥1000MΩ	
Contact Resistance	Centre Contact	≤ 4.0mΩ
	Outer Contact	≤ 2.5mΩ

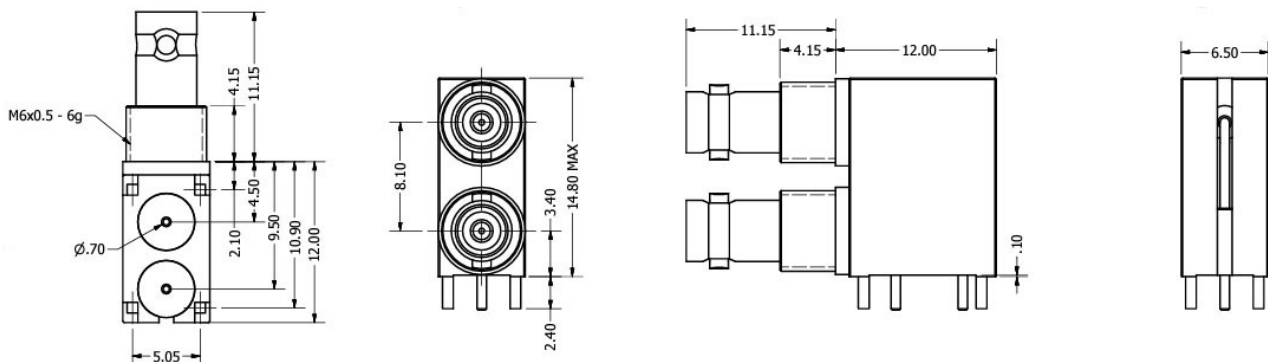


Materials

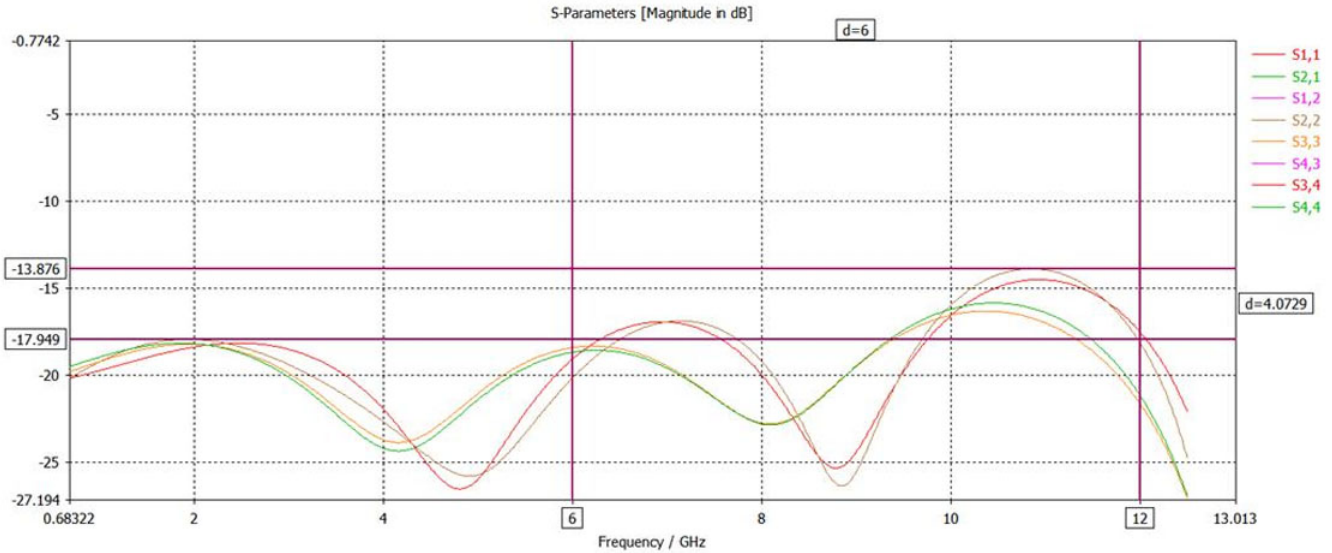
Centre Pin	BeCu / 10 μ" Au
Metal Parts	Brass/Au/Ni
Insulators	PTFE

Environmental

Connector Type	Micro BNC Female
Temp Range	-65 to +85°C
Mating Cycles	500



Return Loss Graph



PCB Layout

